

- Meet requirement of UL555(S) when tested as an assembly with suitable dampers
- Torque: **20Nm @ 121°C(250°F) for 30 minutes**
- Running time: **motor 75s, spring return 20s**
- Control: **Open/Close / Modulating**



Technical data

Electrical data	Nominal voltage	AC 24V 50/60Hz, DC 24V*
	Nominal voltage range	AC 19.2...28.8V, DC 21.6...28.8V*
	Power consumption	6W, 8.5VA @ running / 3W, 5VA @ holding
	Connection	-Motor 1m, 18ga, 1/2" conduit connector -Auxiliary Switch(-S) 1m, 18ga, 1/2" conduit connector -Auxiliary Switch(-SC) 8", 18ga, 1/2" conduit connector
Functional data	Torque	20Nm (0°C to 121°C) @ nominal voltage
	Direction of rotation	Selectable by CW/CCW installation
	Angle of rotation	Max. 95°
	Auxiliary switch	-FSAFB24-SR-S 2 SPDT, 3(0.5)A @ AC 120/250V □ at 10°↙ and 10° to 90° adjustable
	Running time	-Motor <75s at rated voltage and torque -Spring Return <20s at (-20°C to 50°C)
	Sound power level	Motor max. ≤40dB(A) / spring return ≤62dB(A)
	Position indicator	Visual indicator
Safety	Protection class	Class 2 supply
	Degree of protection	IP54 / NEMA type 2
	Agency listed	cULus acc. to UL60730-1A/-2-14, CAN/CSA E60730-1:02, CE acc. to 2004/108/EC & 2006/95/EC
	Ambient temperature	-Normal Duty -30...+50°C -Safety Duty 3 Open/Close cycles after 1/2hr @121°C
	Storage temperature	-40...+80°C
	Humidity test	5...95% RH, non-condensing
	Maintenance	Maintenance-free
Dimensions / weight	Dimensions (L x M x H)	246.1 x 98 x 86.98mm
	Shaft diameter	12.7...26.67mm (9.525...19.05mm)
	Weight	-FSAFB24-SR(-SC) Approx. 2.1kg -FSAFB24-SR-S(-SC) Approx. 2.25kg

* Filtered and regulated DC 24V power supplies is needed.

Dimensions [mm/inches]

Standard:

∅ 1/2" to 1.05"

Optional*

∅ 3/8" to 3/4"

□ 3/8" to 5/8"

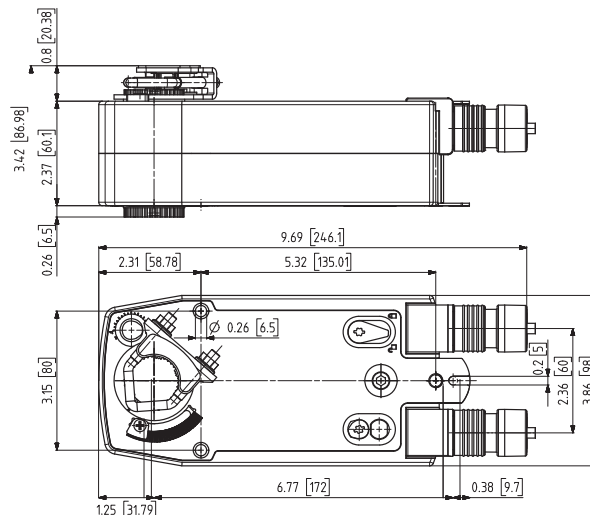
*with K4 US clamp

K7-2 (supplied)

∅ 1/2" Centered (Default)

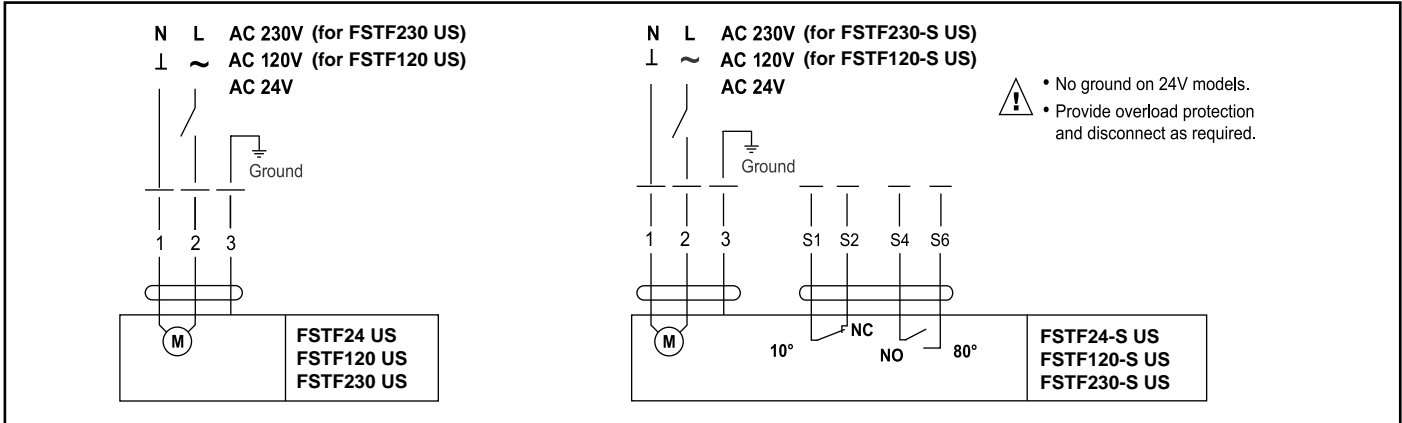
3/4" Centered (Field Selectable)

1.05" Centered (Field Selectable)

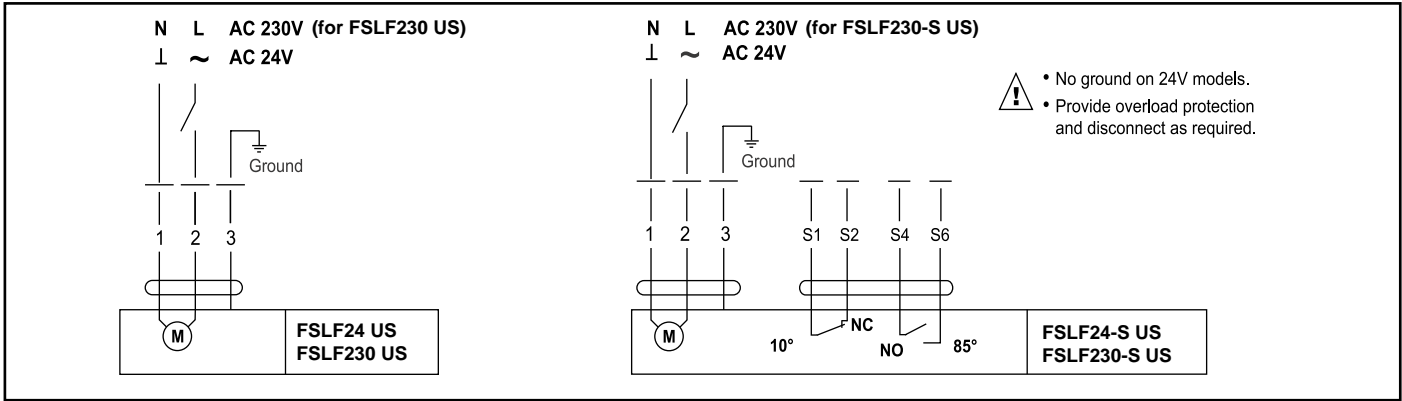


Wiring diagram: FS.. Series Fail-Safe Open/Close Actuators

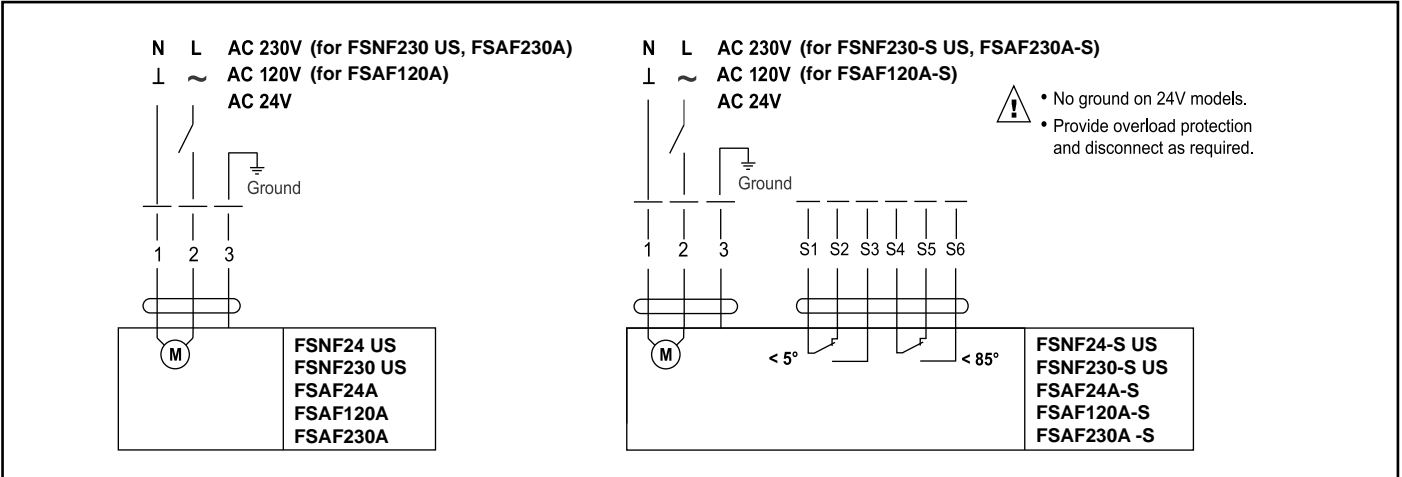
- Notes:**
- Parallel connection of several actuators is possible.
 - Power consumption must be observed.



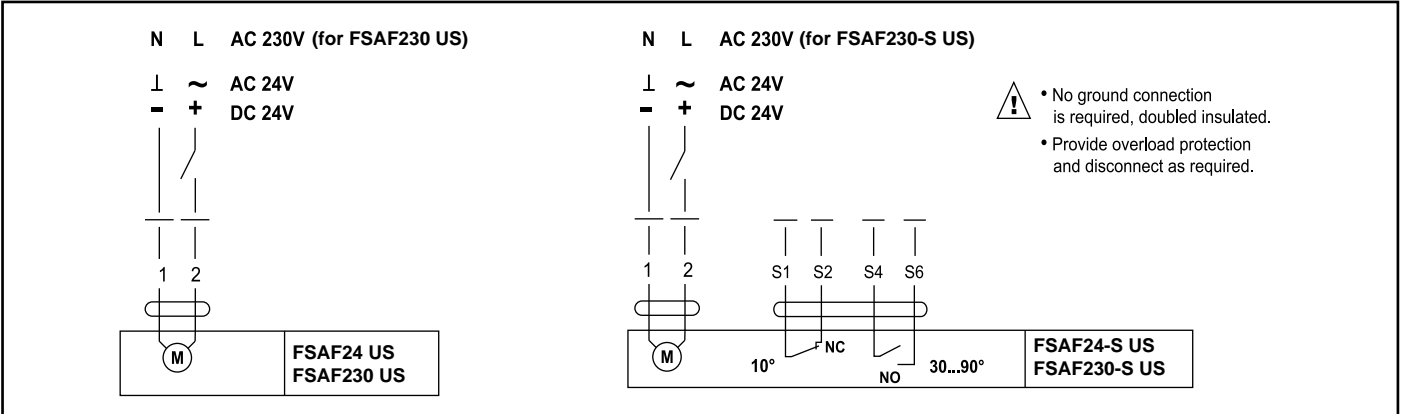
- ⚠
- No ground on 24V models.
 - Provide overload protection and disconnect as required.



- ⚠
- No ground on 24V models.
 - Provide overload protection and disconnect as required.



- ⚠
- No ground on 24V models.
 - Provide overload protection and disconnect as required.



- ⚠
- No ground connection is required, doubled insulated.
 - Provide overload protection and disconnect as required.